

Depth Gauges

SERIES 329 – Digimatic Interchangeable Rod Depth Micrometer

- This type uses interchangeable rods to enable wide-range measurement.
- Allows integration into statistical process control and measurement systems.
- Measuring rod diameter: $\varnothing 4$ mm.
- Measuring rod lock.
- Ratchet stop provides constant measuring force.

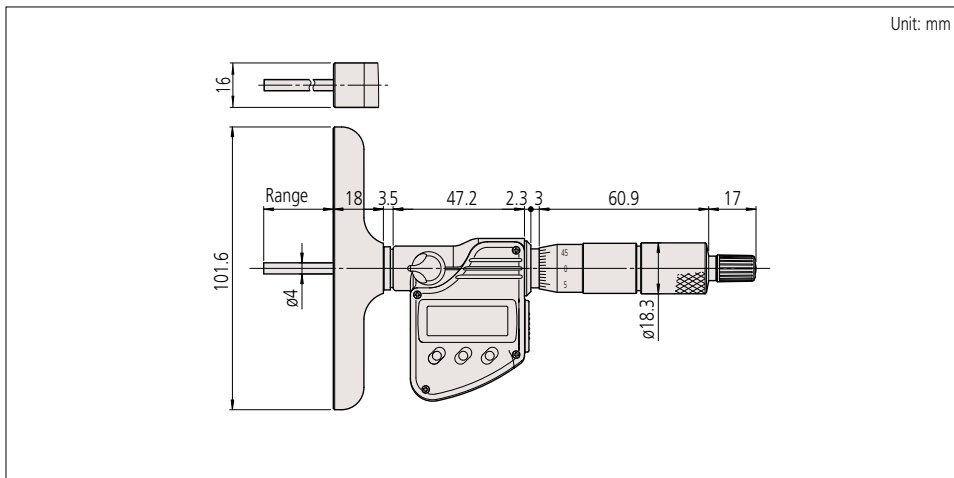


329-350-10

SPECIFICATIONS

Inch/Metric					
Code No.	Range	Resolution	Base	No. of rods	Price
329-350-10	0-150 mm (0-6")	0.001 mm (.00005")	4 x .63"	6	£490.00
329-351-10	0-300 mm (0-12")	0.001 mm (.0001")		12	£690.00

DIMENSIONS



Technical Data

Accuracy*

Micrometer head: $\pm 3 \mu\text{m} / \pm 0.00015''$ (excluding quantizing error)

Interchangeable rod: $\pm (2+R/75) \mu\text{m} / \pm [.0001+0.00005 (R/3)]''$

Flatness of measuring

rod face: 0.3 μm

Parallelism between reference face and

measuring rod face*: $(4+R/50) \mu\text{m} / [.00016+0.00004 (R/2)]''$

Battery: SR44 (2 pcs) **938882**

Battery life: Approx. 1.2 years under normal use

* R = max. range (mm/inch)

Note: Fractions rounded up

Optional Accessories

05CZA662: SPC data cable with pushbutton (1 m) **£58.50**

05CZA663: SPC data cable with pushbutton (2 m) **£70.40**

06ADV380B: USB Input Tool Direct USB-ITN-B (2 m) **£106.00**

02AZD790B: SPC data cable for U-WAVE-T (160 mm) **£52.20**

02AZE140B: SPC data cable for U-WAVE-T and footswitch (160/500 mm) **£119.00**

