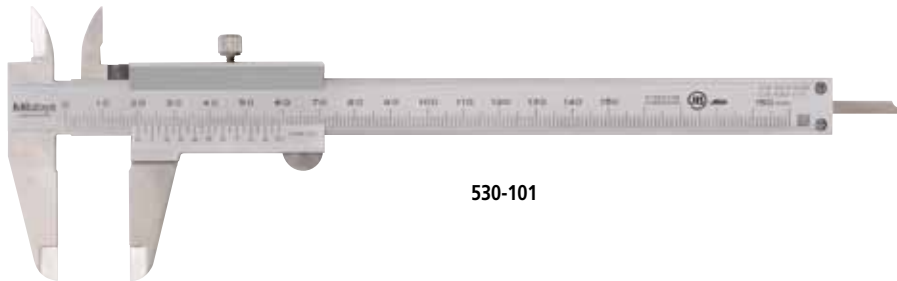


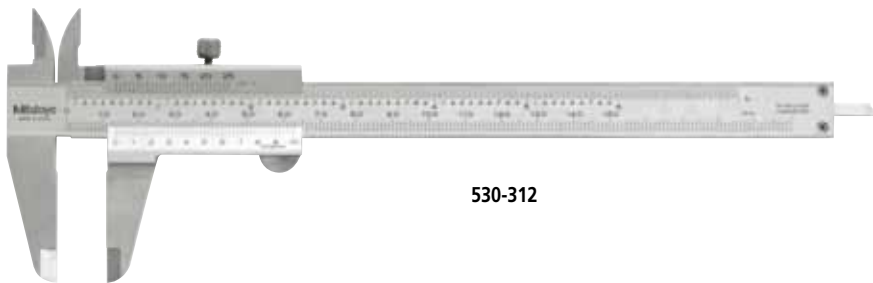
# Calipers

## SERIES 530 – Vernier Caliper

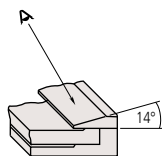
- Stepped graduation face prevents dust ingress between the main scale and slider.
- The small vernier face angle (14°) provides easy reading.
- Can measure outside and inside dimensions, depth, and steps.
- Carbide-tipped jaw calipers give the longest life when measuring rough finished parts, castings, grinding wheels, etc.
- Decimal and fractional graduated scales (metric/inch and inch models only).



530-101



530-312

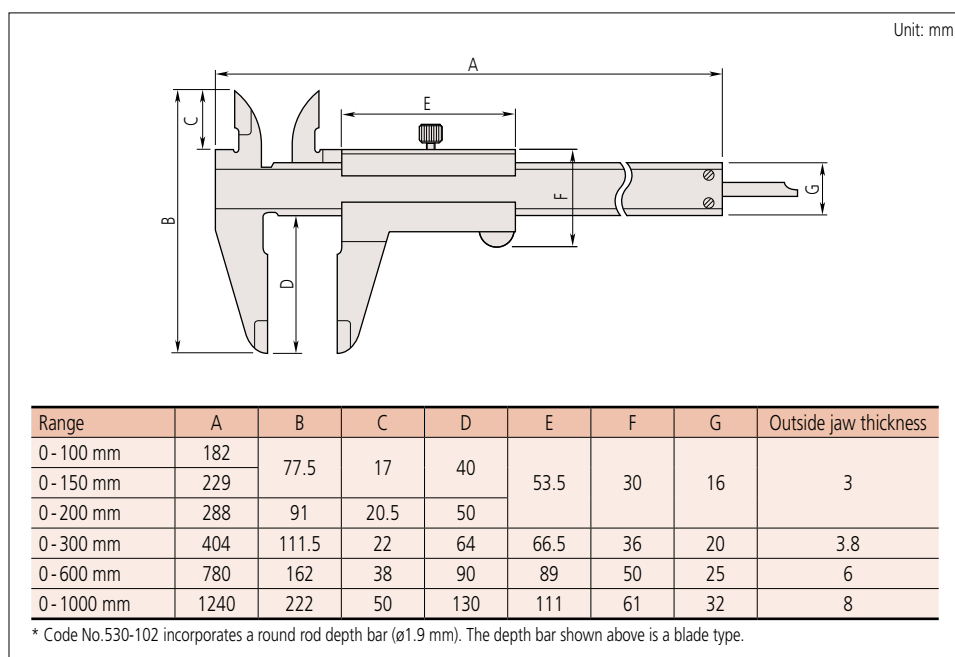


530-102 (Round rod depth bar type)



530-320 (Carbide-tipped jaw type)

## DIMENSIONS



## SPECIFICATIONS

Metric						
Code No.	Range	Accuracy	Graduation	Depth bar	Remarks	Price
530-102	0 - 150 mm	±0.05 mm	0.05 mm	ø1.9 mm rod	—	£43.50
530-101				—	£29.90	
530-320				Carbide-tipped jaws for outside measurement	£94.50	
530-108	0 - 200 mm	±0.08 mm		Blade	—	£56.90
530-321					Carbide-tipped jaws for outside measurement	£96.40
530-109					—	£158.00
530-322	0 - 300 mm	Carbide-tipped jaws for outside measurement			£250.00	
530-501	0 - 600 mm				—	£388.00
530-502	0 - 1000 mm	±0.15 mm			—	£878.00

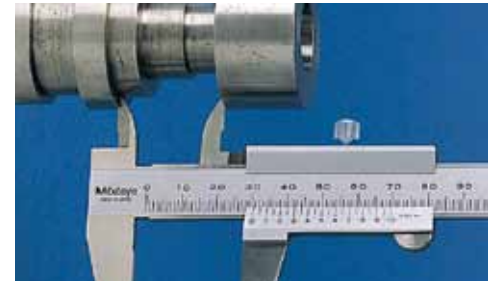
Inch/Metric						
Code No.	Range	Accuracy	Graduation	Depth bar	Remarks	Price
530-104	0 - 150 mm (0 - 6")	±0.05 mm	0.05 mm (1/128")	Blade	—	£39.60
530-312		±0.03 mm	0.02 mm (.001")		High accuracy model	£39.60
530-118	0 - 200 mm (0 - 8")	±0.03 mm	0.02 mm (.001")		High accuracy model: ±0.03 mm	£56.90
530-115	0 - 300 mm (0 - 12")	±0.08 mm	0.05 mm (1/128")		—	£158.00
530-119		±0.04 mm	0.02 mm (.001")		High accuracy model: ±0.04 mm	£158.00

### Measurement Applications

1. Outside measurement



2. Inside measurement



3. Step measurement



4. Depth measurement

